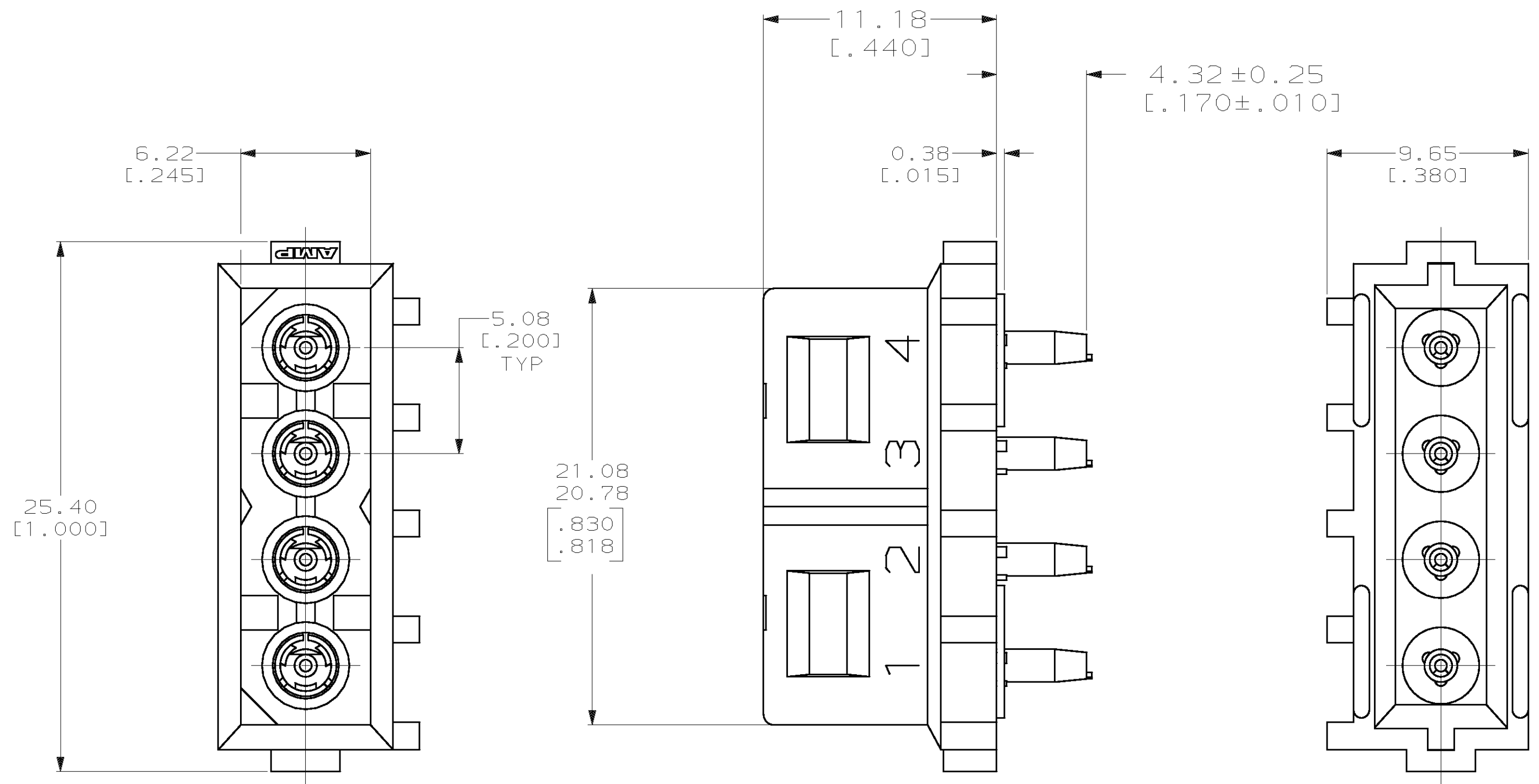
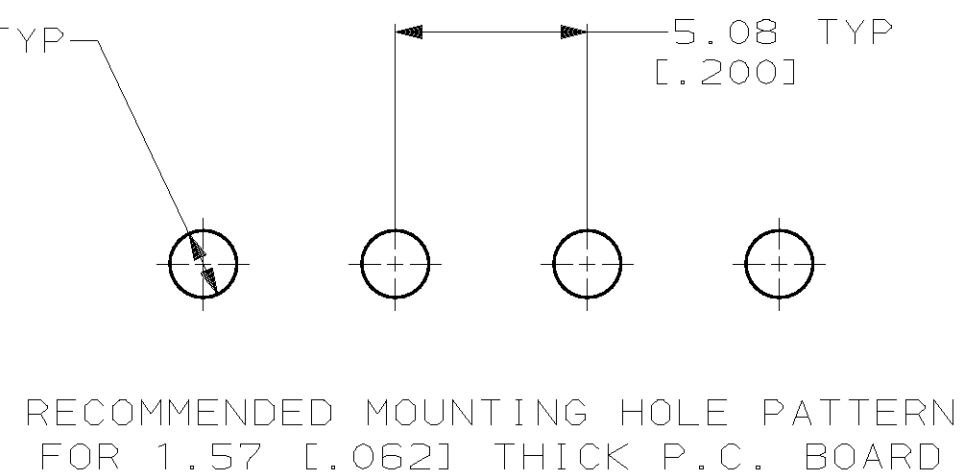
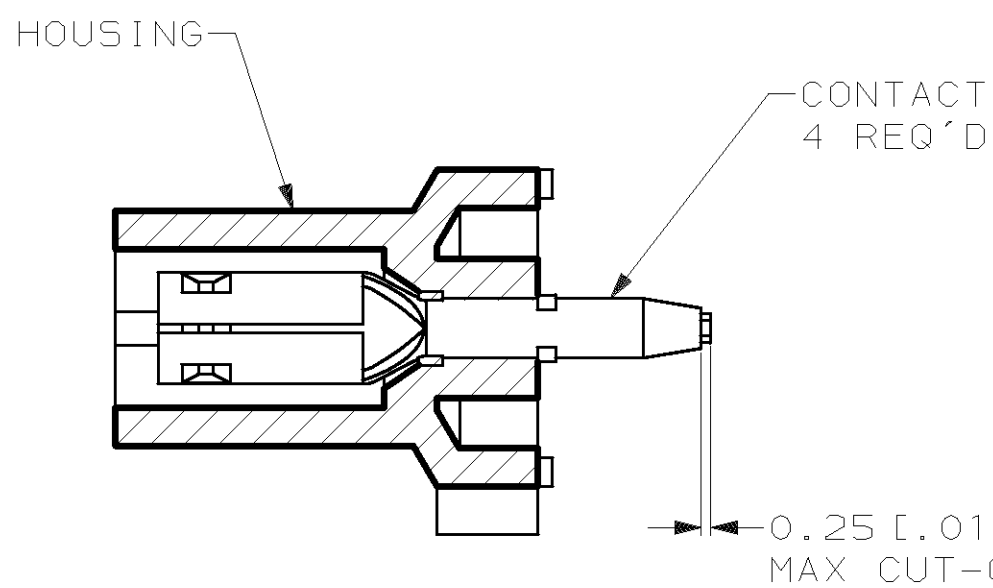
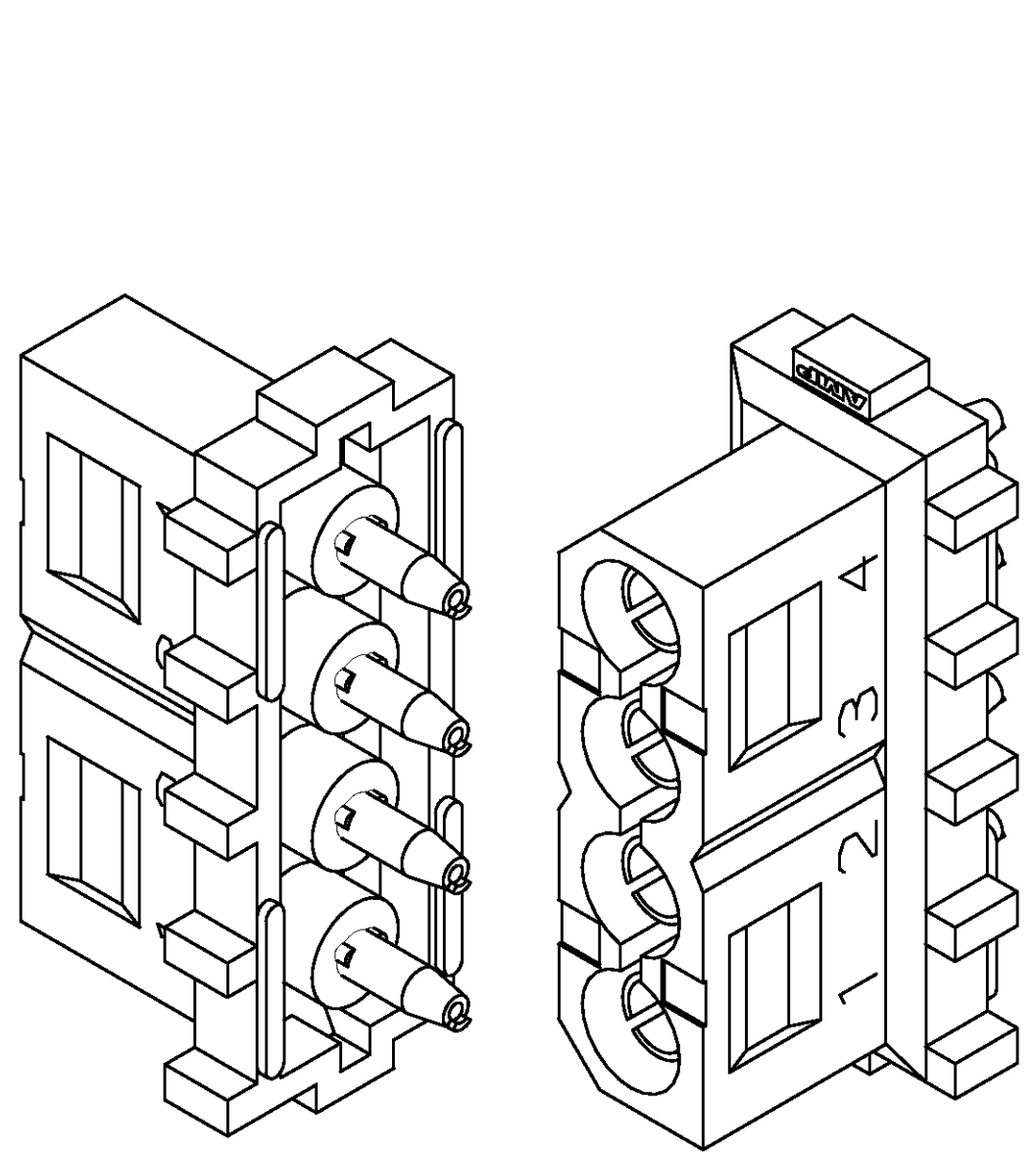


LOC		DIST		REVISIONS				DATE	APPD
ZONE	LTR	DESCRIPTION	DATE	APPD					
CM	53	P	F	A	REV PER EC	0L30-0114-97	6-6-97	JH	RS



- PARTS COMPLY WITH AMP SOLDERABILITY SPEC. 109-11-5.
- DIMENSIONS IN BRACKETS ARE IN INCHES.



METRIC

THIS DRAWING IS A CONTROLLED DOCUMENT FOR AMP INCORPORATED. IT IS SUBJECT TO CHANGE AND THE CONTROLLING ENGINEERING ORGANIZATION SHOULD BE CONTACTED FOR THE LATEST REVISION.

0.251 [.0099] THK PH BRZ, PRE-TIN	NYLON UL94V-2, NATURAL	794285-1
CONTACT MATERIAL & FINISH	HOUSING MATERIAL & COLOR	PART NO
DO NOT SCALE PRINT. UNLESS SPECIFIED DIMENSIONS IN mm [INCHES] TOLERANCES ON : 2 PLC DEC ± - 3 PLC DEC ± 0.13 [.005] ANGLES ± 0°30'	DR 3-06-97 B. LEWIS CHK 3-06-97 R. SWING APPD 3-06-97 C. MARTIN APPD 3-06-97 C. MARTIN	AMP AMP Incorporated Harrisburg, PA 17105-3608
SEE TABLE	PRODUCT SPEC	NAME SOCKET HEADER ASSEMBLY, 4 CIRCUIT, COMMERCIAL MATE-N-LOK™
FINISH SEE TABLE	APPLICATION SPEC	SIZE C 00779
WEIGHT -	SCALE 5:1	DRAWING NO C-794285
		SHEET 1 OF 1